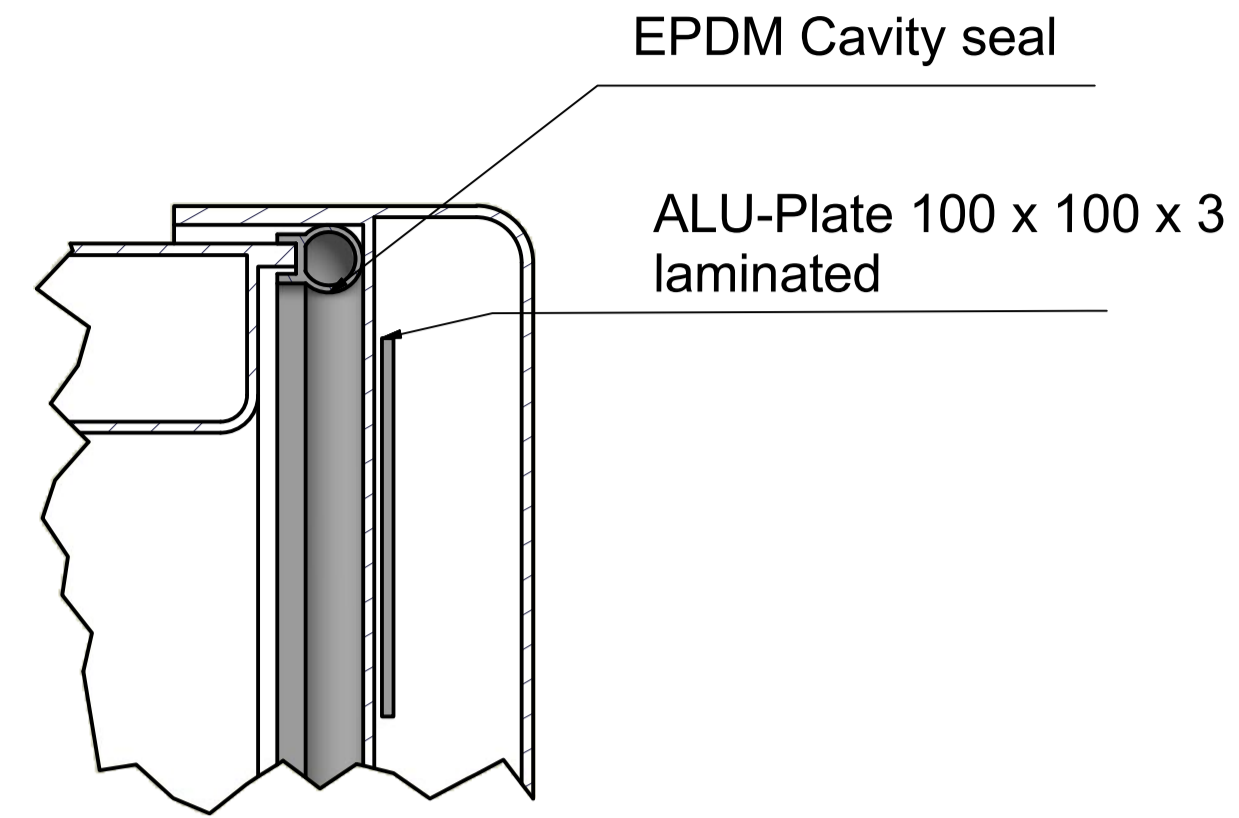
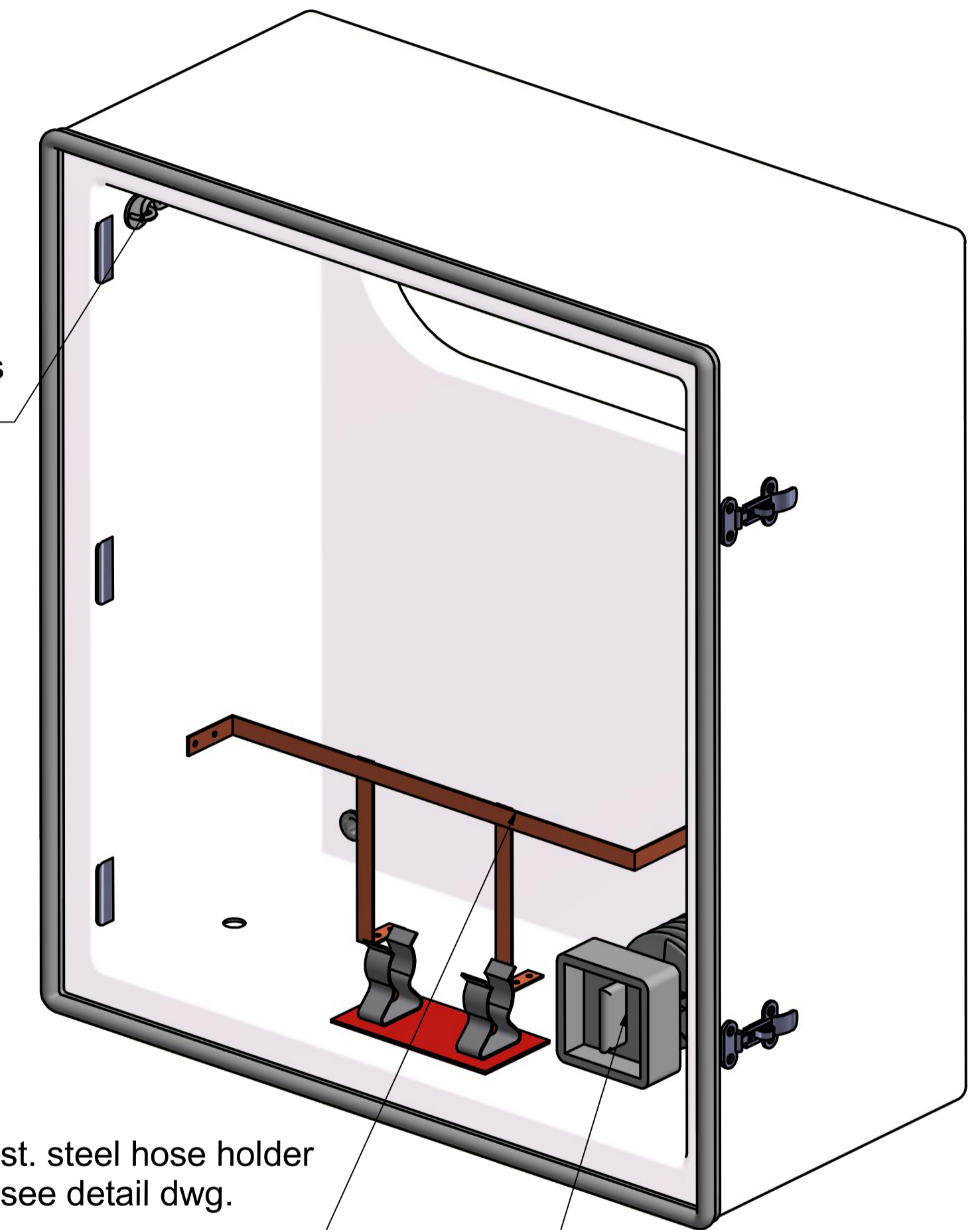


H (1:2)

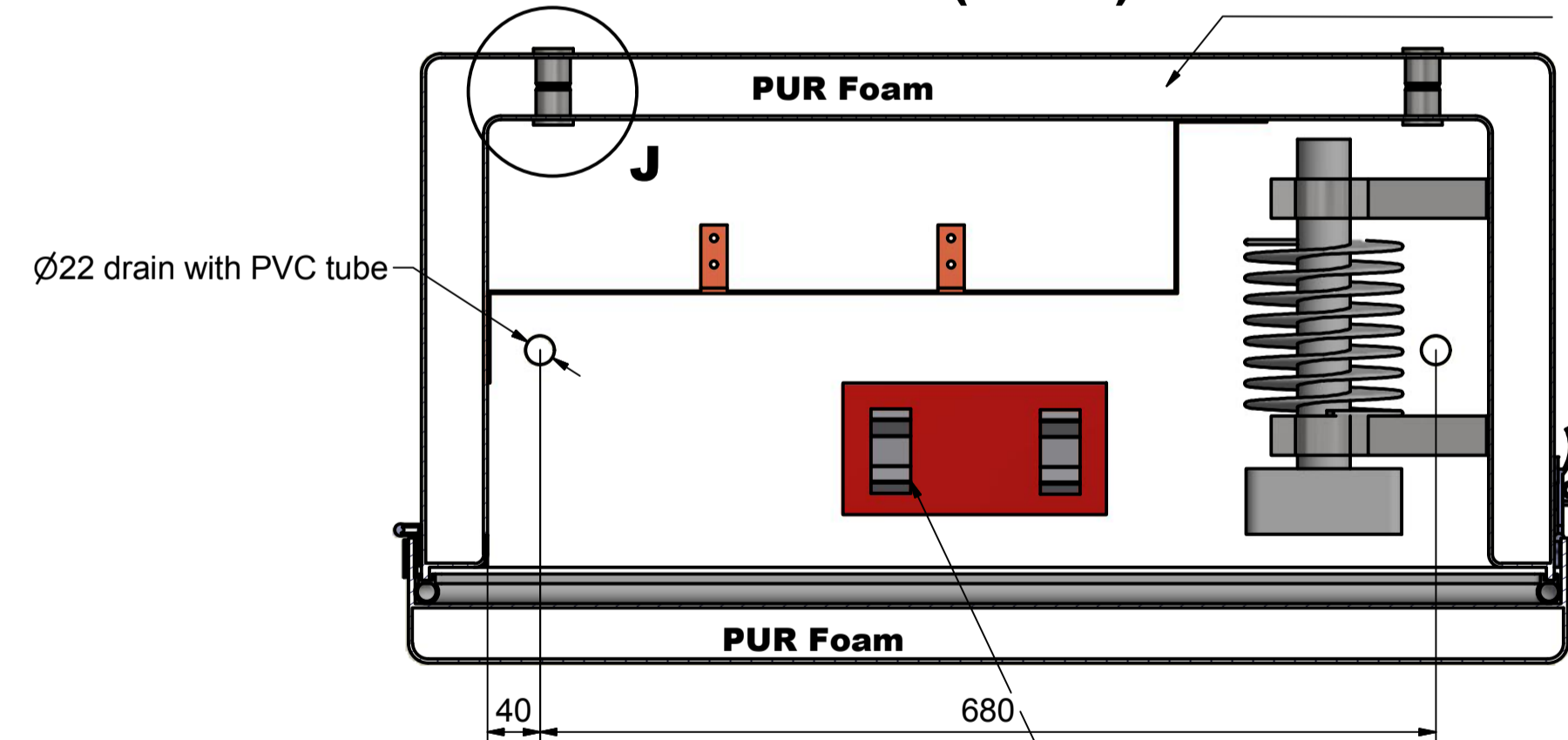


cabin hook with 2 eyes



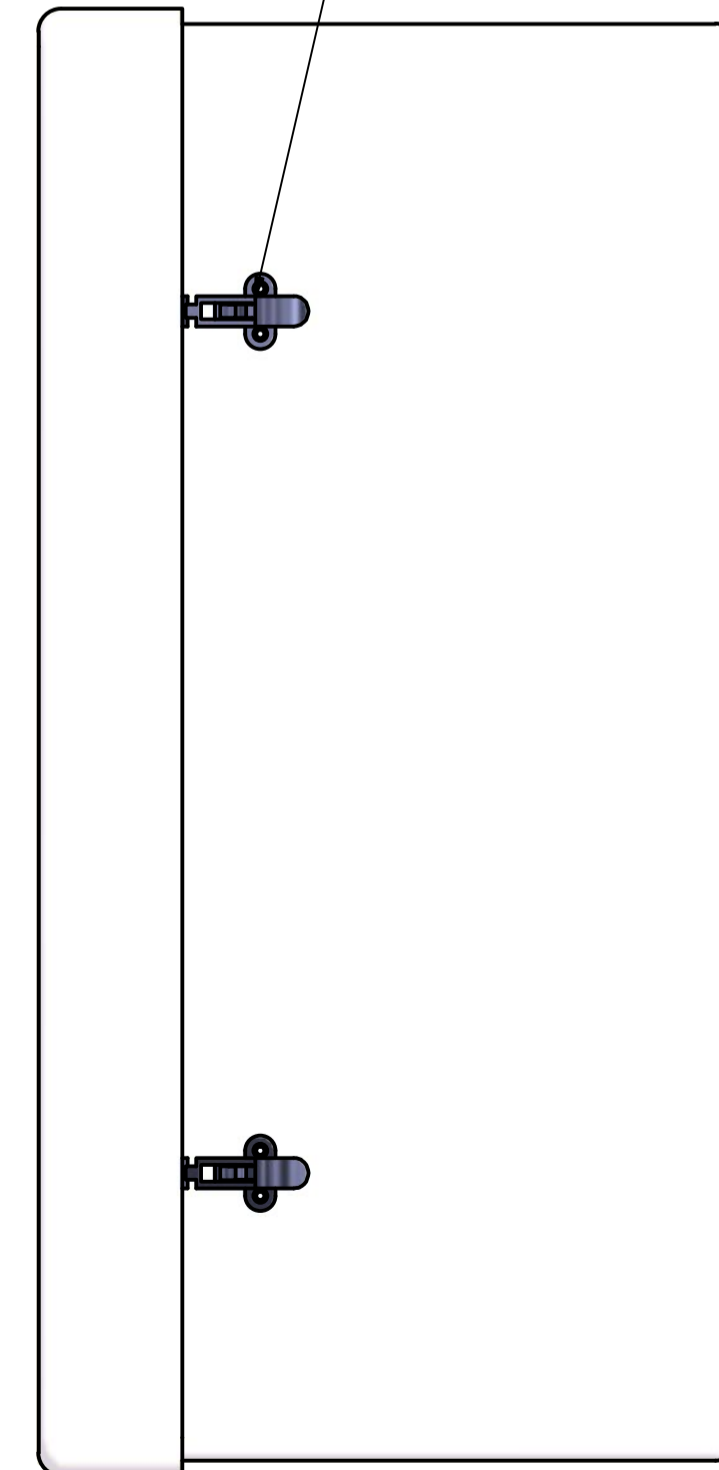
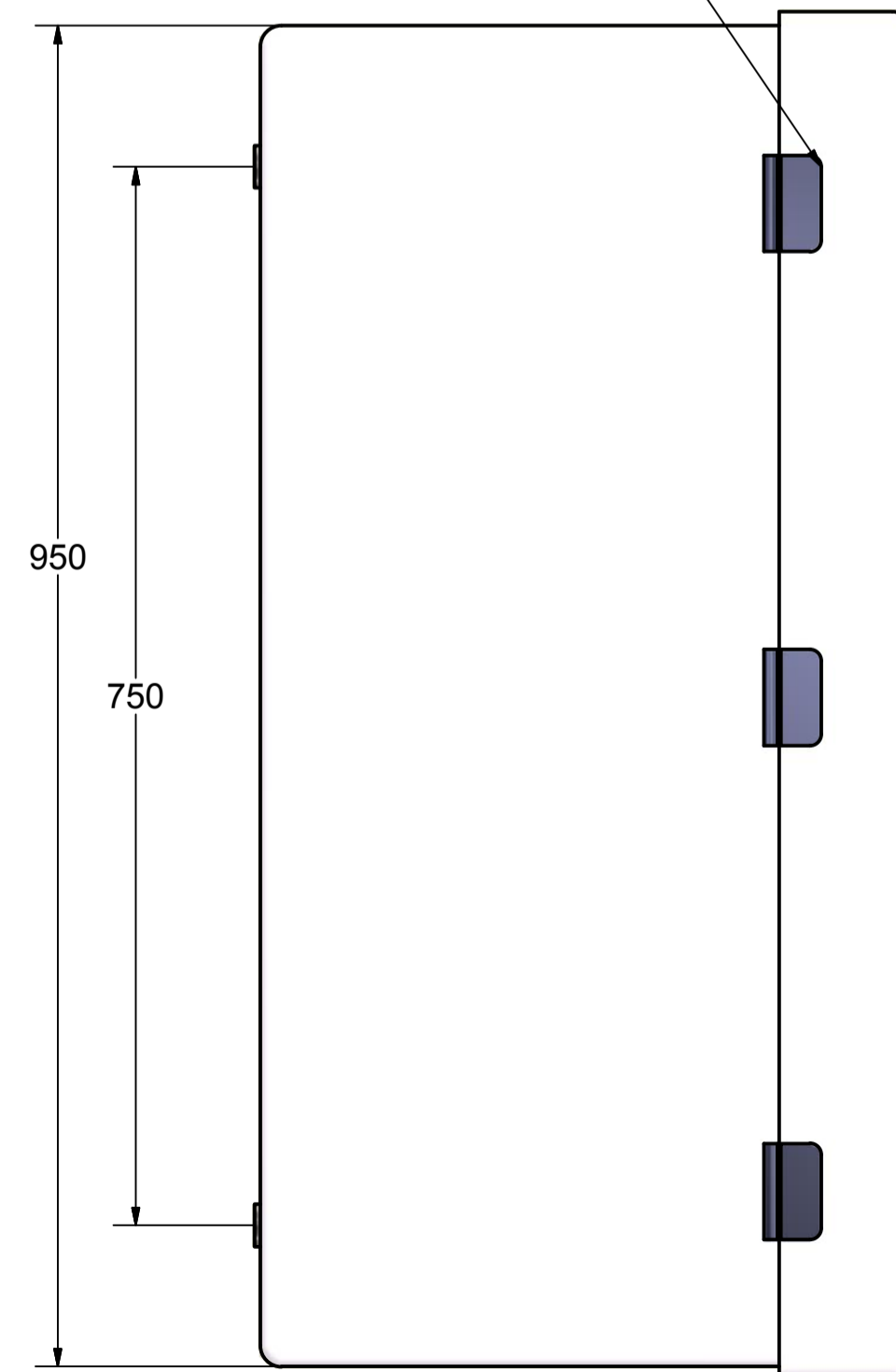
B-B (1:5)

40 mm PUR Foam
k-value = 1W/m²K

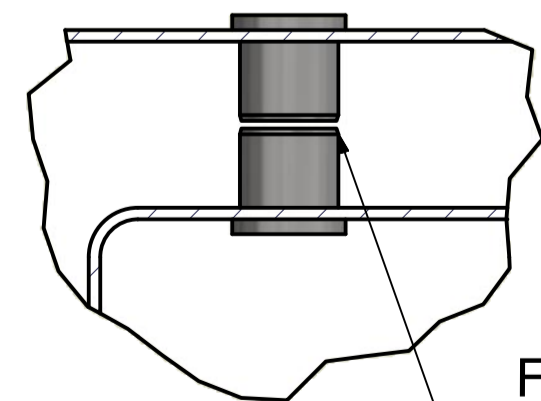


3 x hinges with counter-plate AISI 316

fastener AISI 316, polished



J (1:2)



For wall fixing
4 x 2 x POM bushes
M18 x 25 in mid sealed

drawn : Valve left, Hinge left

Valve right, Hinge right mirror reflected

This drawing is the property of Kunststofftechnik Julitz GmbH which reserves all rights

Tolerances DIN 7168 gr.	Scale	Date	Drawn	Checked	Project:
					Designation:
					insulated GRP-Fire equipment cabinet, deep design with Heater with thermostate
					Drawing No.
Alteration	Date	Name			

Kunststofftechnik Julitz
Tel. +49(0)41614494
Fax +49(0)41614485
julitzgmbh@aol.com