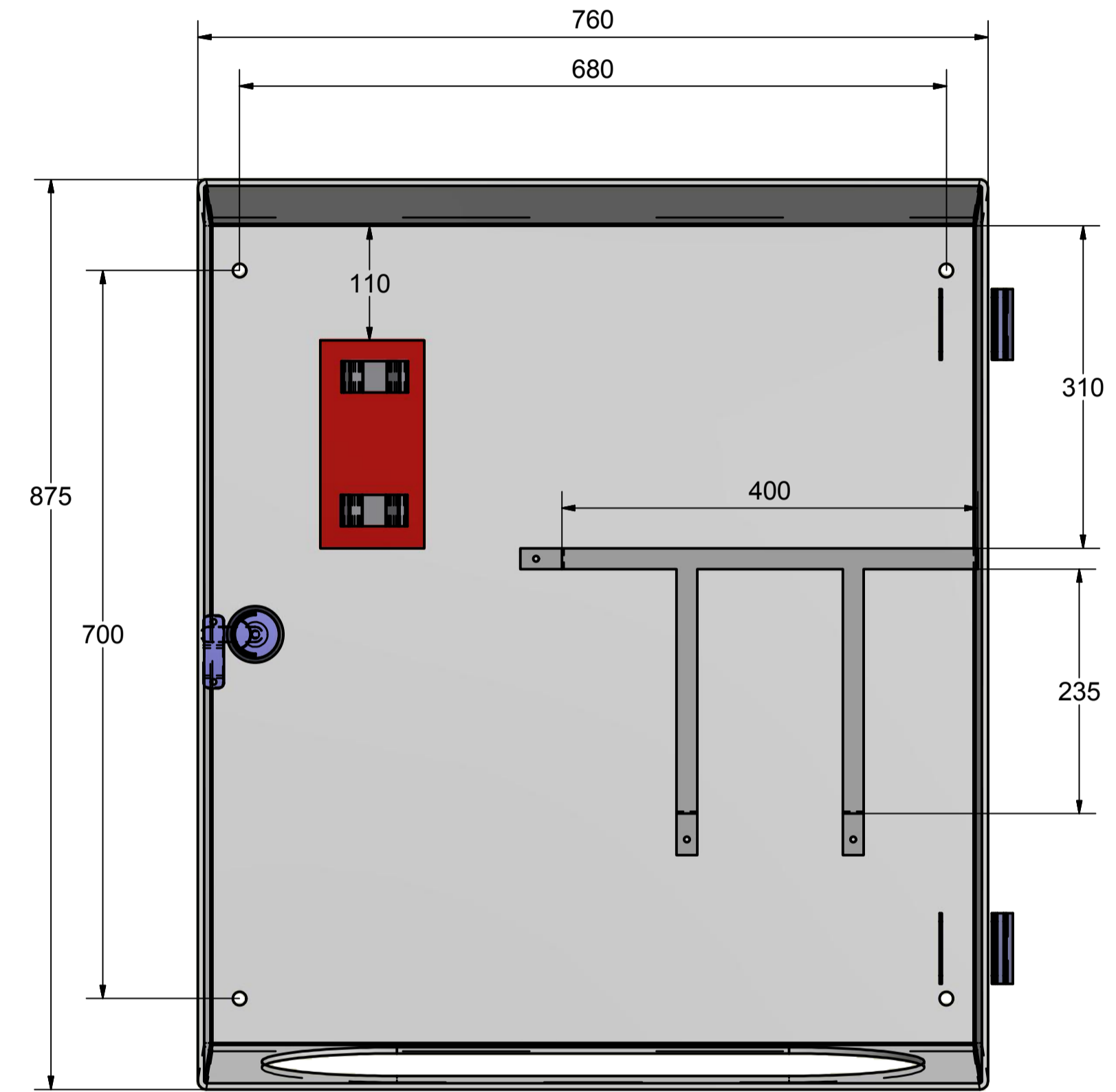
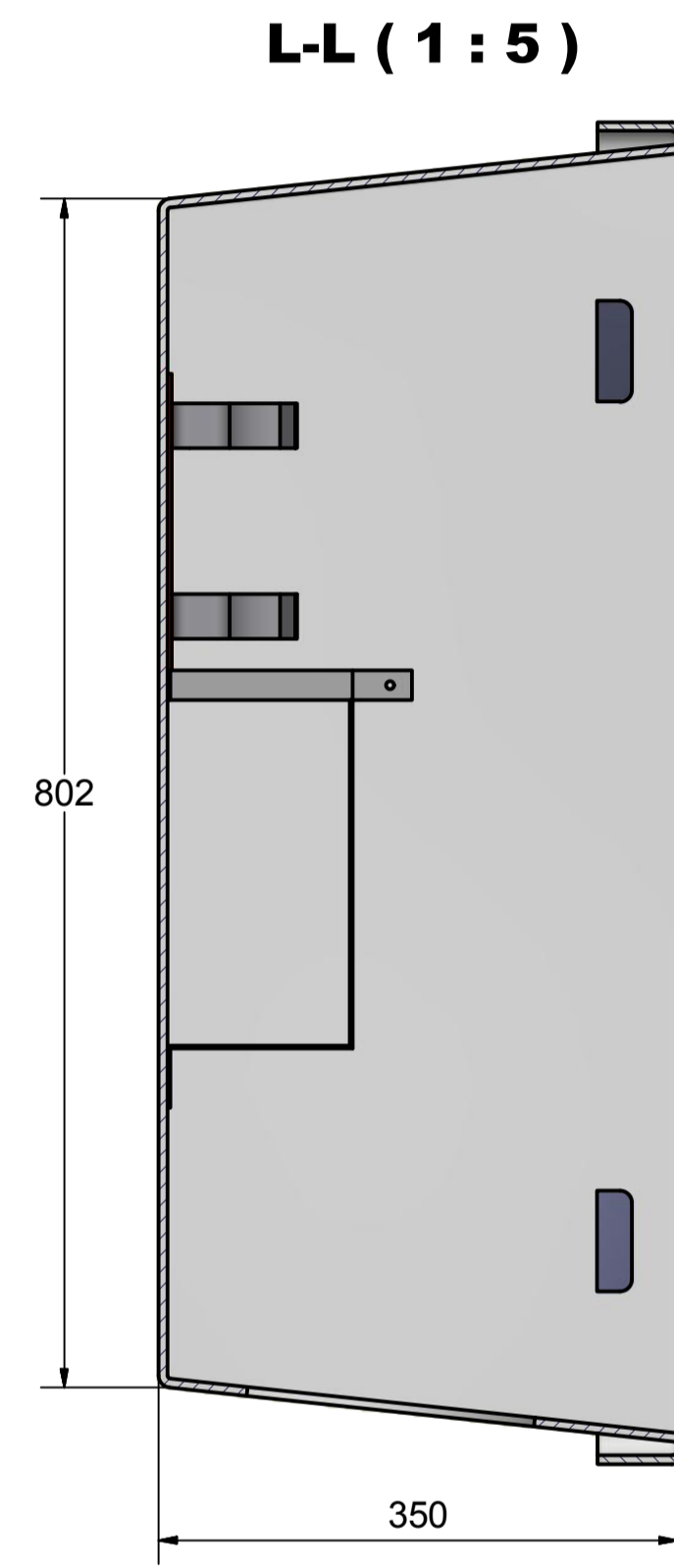
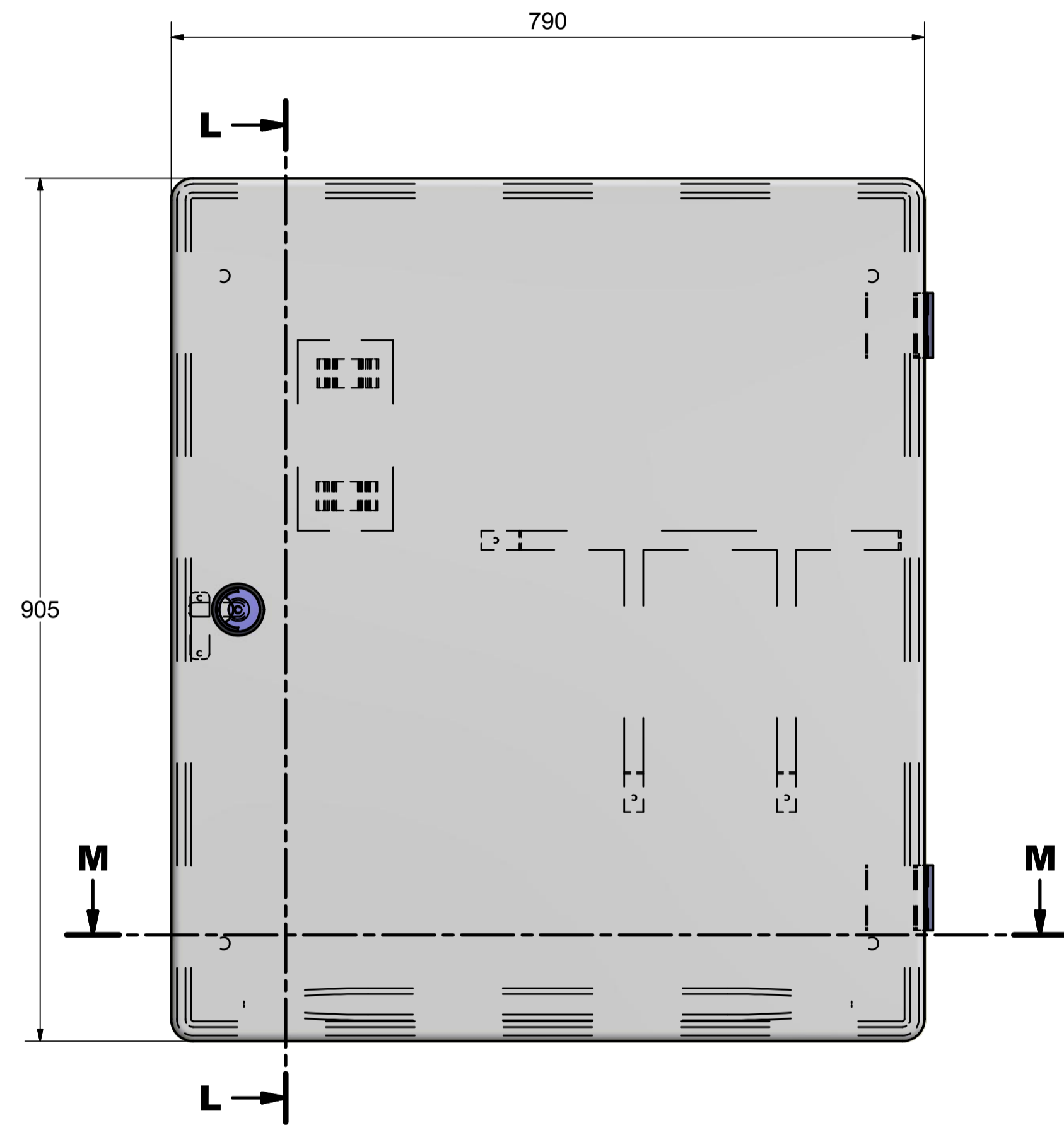
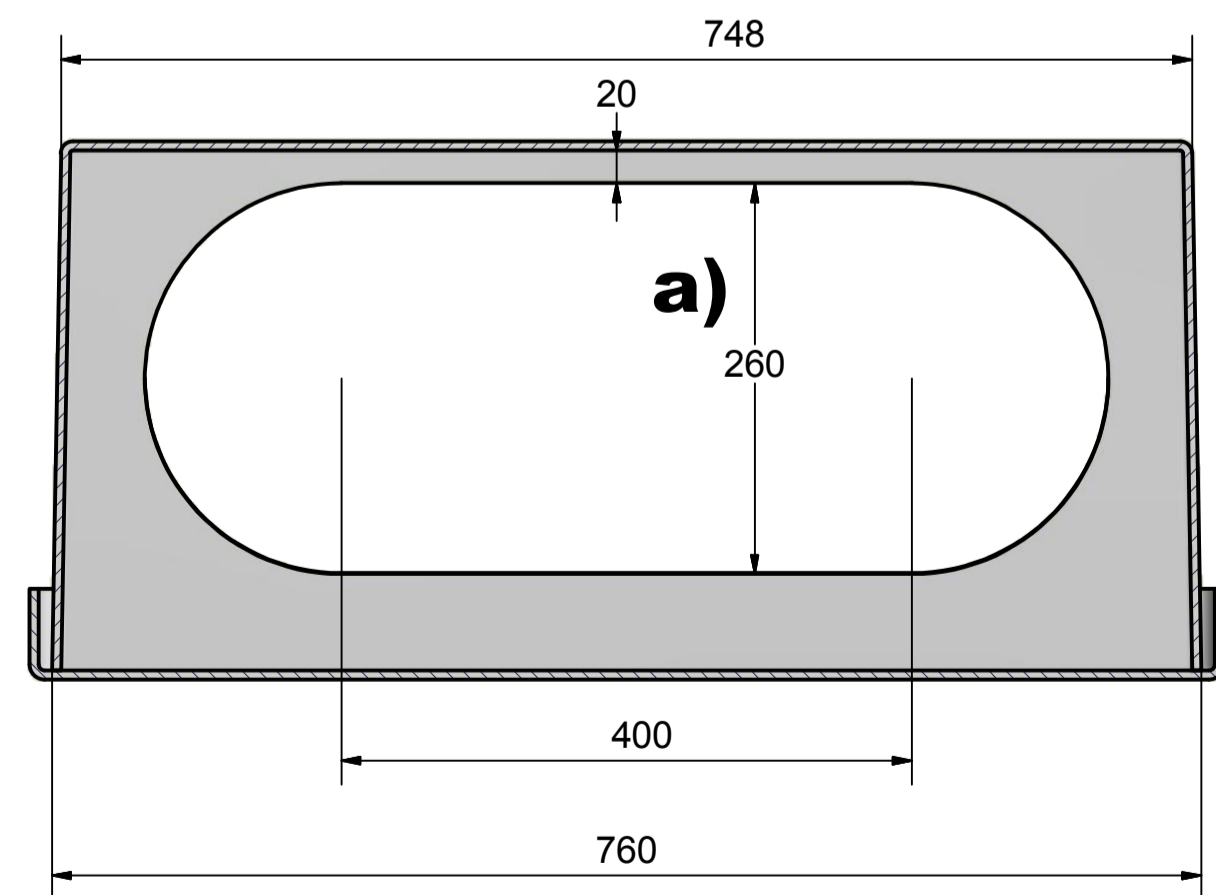


Decksanschluss
Valve left Door right

If valve right interior mirror reflected



M-M (1 : 5)



This drawing is the property of Kunststofftechnik Julitz GmbH which reserves all rights

Tolerances DIN 7168 gr.	Scale	Date	Drawn	Checked	Project:
					<div style="display: flex; justify-content: space-between;"> <div> <p>AIDA Cruises</p> <p>Customer:</p> </div> <div> <p>GRP Fire Station</p> <p>Deck Connection</p> </div> </div>
<div style="display: flex; justify-content: space-between;"> <div> <p>Kunststofftechnik Julitz</p> <p>Tel. +49(0)41614494</p> <p>Fax +49(0)41614485</p> <p>julitzgmbh@aol.com</p> </div> <div> <p>Designation:</p> <p>Drawing No.</p> </div> </div>					
a) Ausschnitt geändert	19.3.18	Julitz			
Alteration	Date	Name			