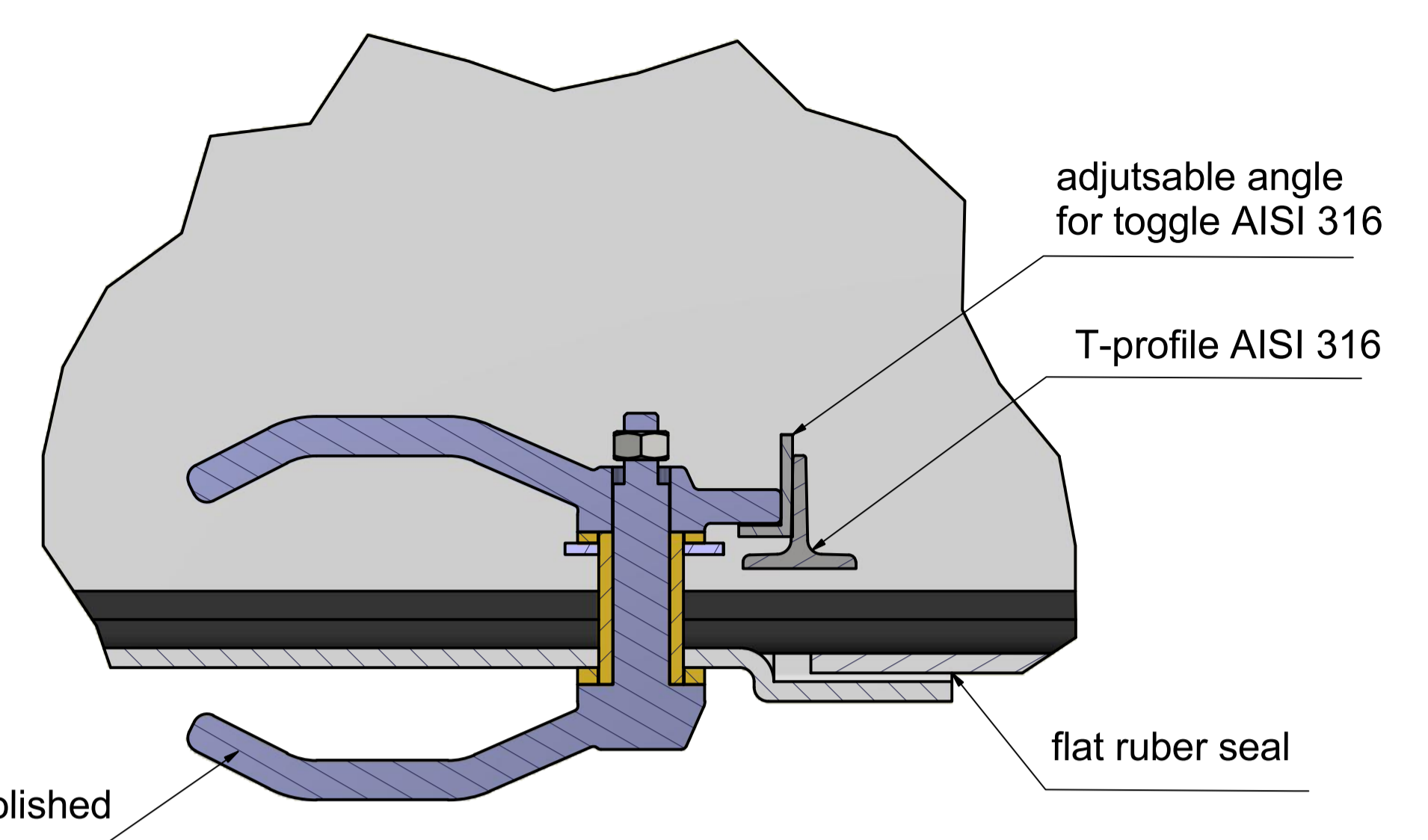


hinges AISI 316 polished

Z (1:2)



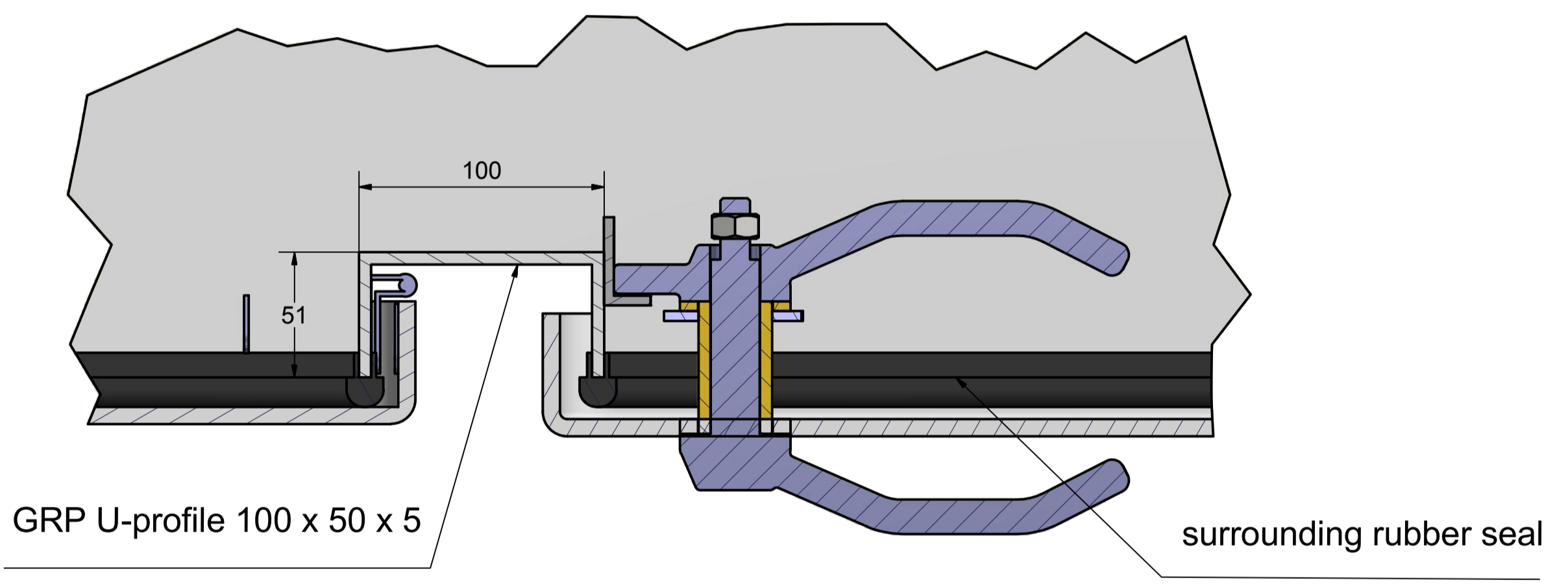
toggle AISI 316 polished

adjustable angle for toggle AISI 316

T-profile AISI 316

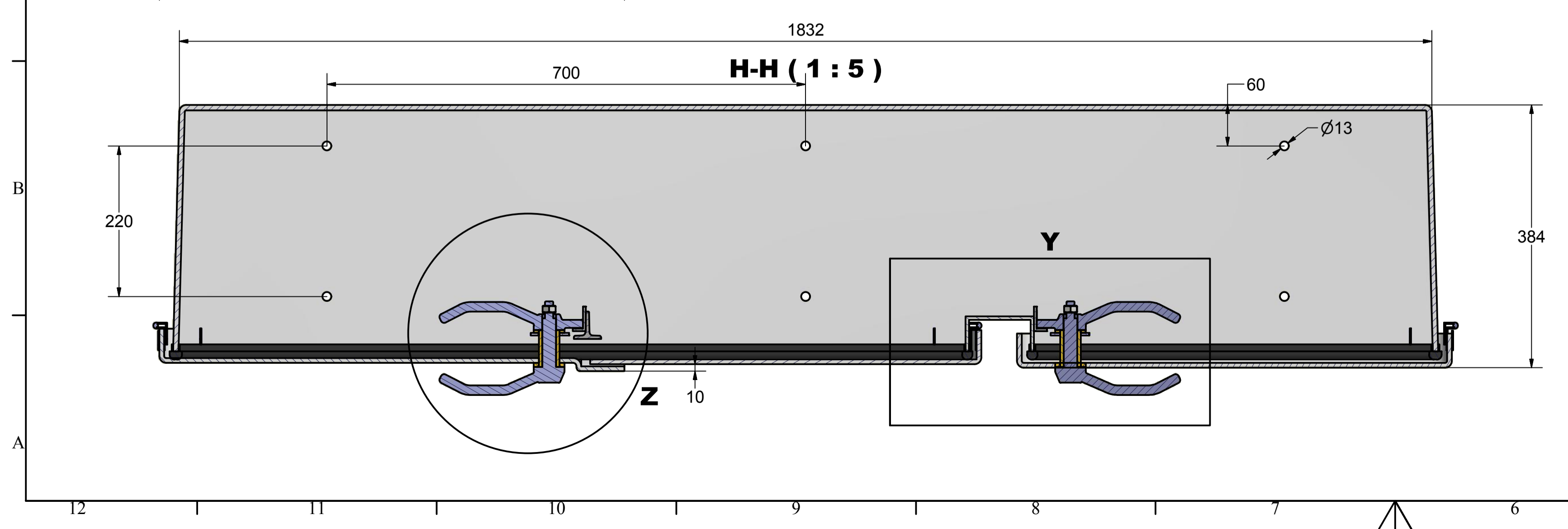
flat rubber seal

Y (1:2)



GRP U-profile 100 x 50 x 5

surrounding rubber seal



H-H (1:5)

Y

Z

This drawing is the property of Kunststofftechnik Julitz GmbH which reserves all rights

Tolerances DIN 7168 gr.	Scale	Date	Drawn	Checked	Project:
					Customer:
					Designation:
					Life Jacket Locker 1700 x 1850
					Drawing No. 62/55
Alteration	Date	Name			

Kunststofftechnik Julitz
 Tel. +49(0)41614494
 Fax +49(0)41614485
 julitzgmbh@aol.com