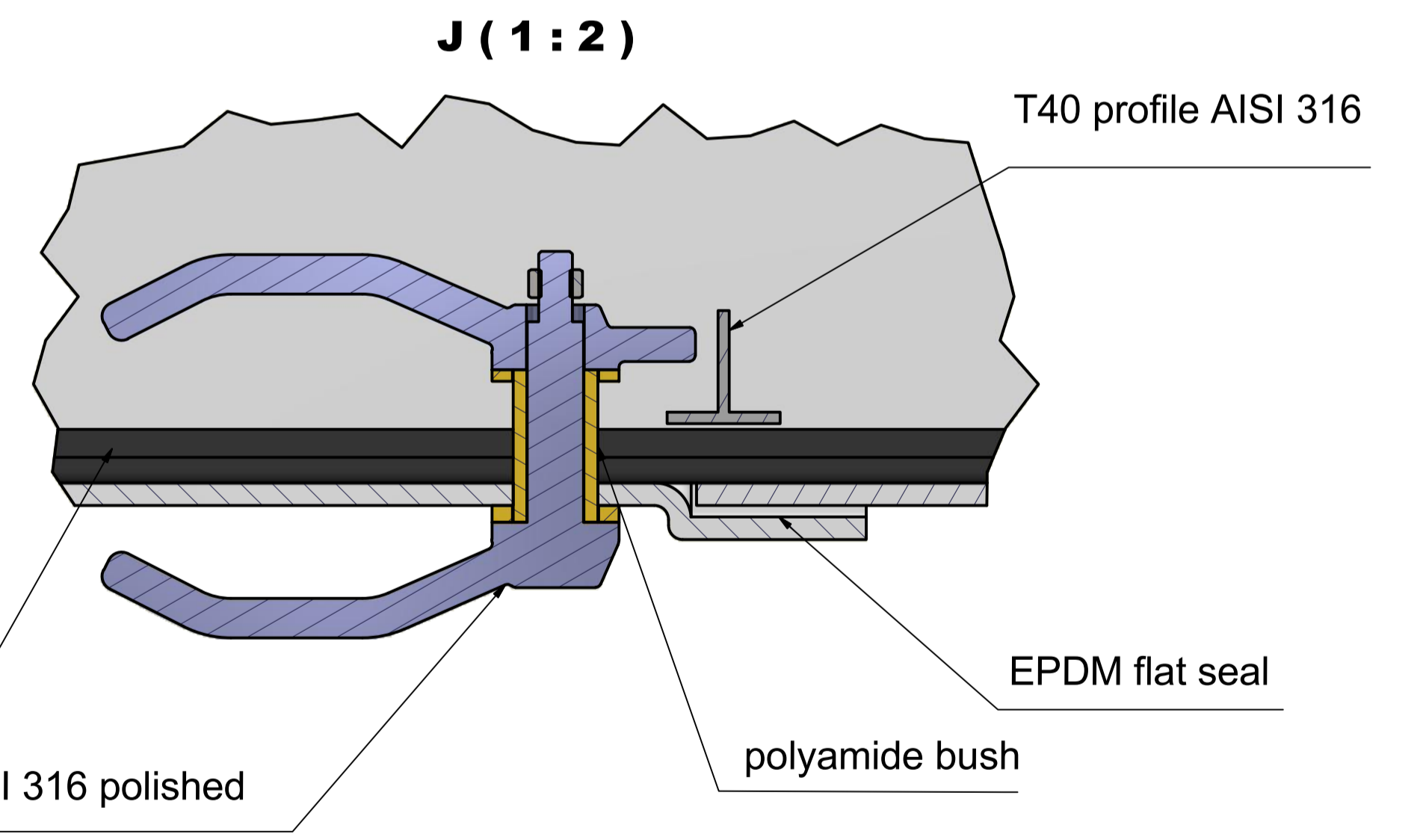
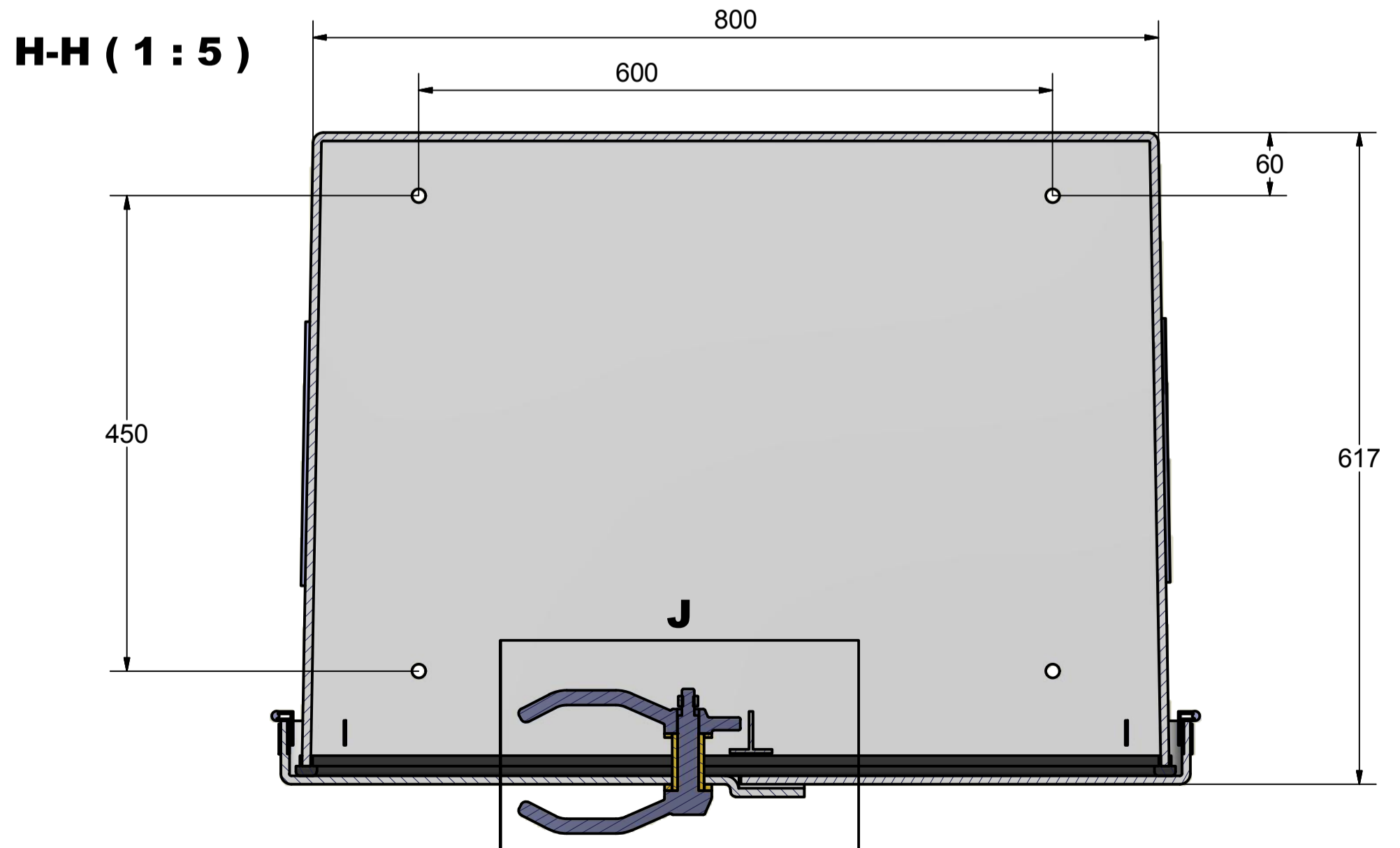


air grid AISI 316 polished

hinges AISI 316 polished with counter-plates



colour outside white RAL 9010
colour inside grey RAL 7035

This drawing is the property of Kunststofftechnik Julitz GmbH which reserves all rights

Tolerances DIN 7168 gr.	Scale	Date	Drawn	Checked	Project:
			Name		
			Kunststofftechnik Julitz Tel. +49(0)41614494 Fax +49(0)41614485 julitzgmbh@aol.com		Designation:
					Life Jacket Locker 1700 x 800
Alteration	Date	Name			Drawing No. 62/54